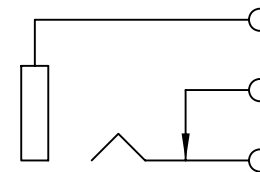
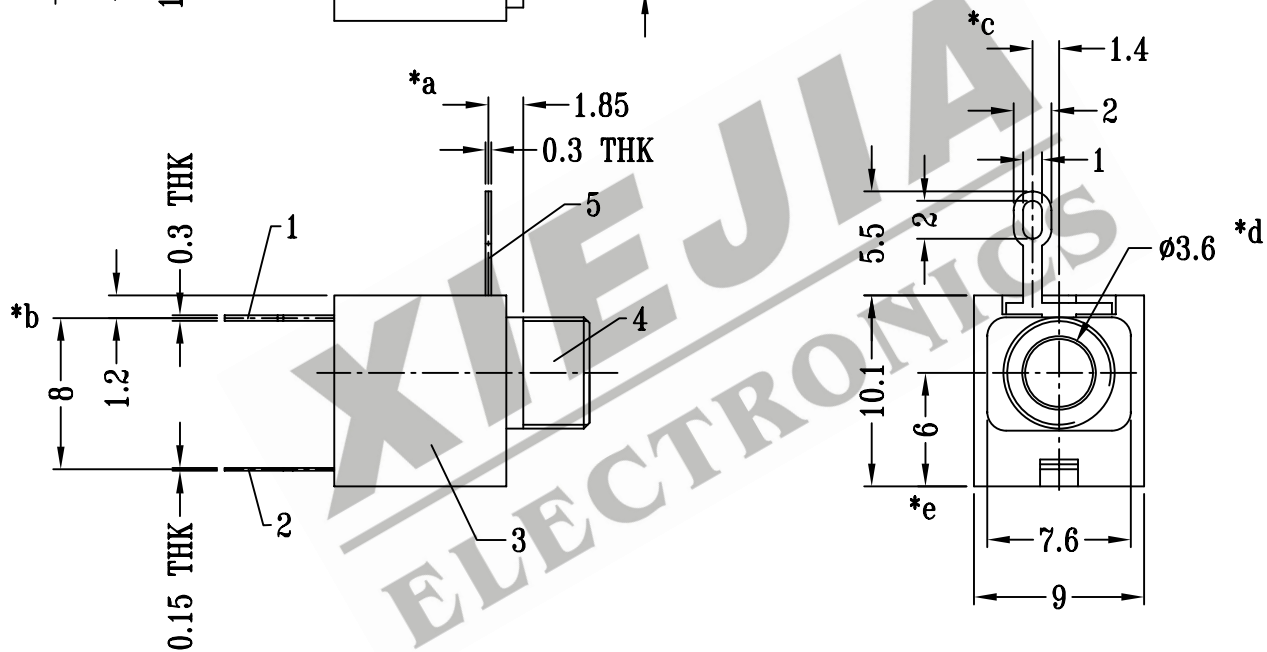
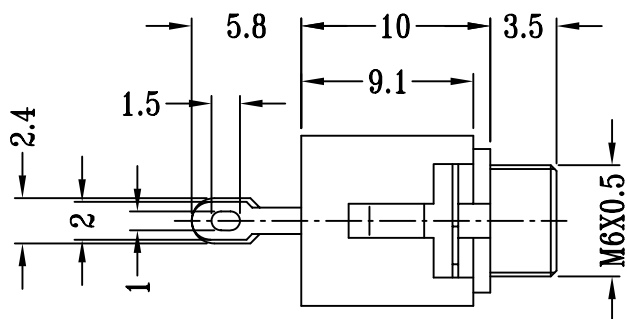


CAD FILE:



**SCHEMATIC**

注：“\*”表示关键尺寸（5个）

8					TOLERANCE UNLESS SPECIFIED	SHENZHEN XIEJIA ELECTRONICS CO.,LTD.				
7										
6					WITHIN: 1.5±0.1mm OVER : 1.5±0.2mm	ISSUE	DATE	DESCRIPTIONS OF REVISION		APPD.
5	TERMINAL	BRASS STRIP	1	Ag PLATED OVER Ni PLATED						
4	SOCKET	BRASS	1	Ni PLATED	TITLE : PHONE JACK		UNIT : mm	DRWG NO.: XJ-DR-EY502CL3.5-00		
3	CASE	PC	1	MILKY WHITE						
2	SPRING TERMINAL	STAINLESS STEEL	1	Ag PLATED OVER Ni PLATED	MODEL: EY-502-C-L-3.5		SCALE: 5:2	DWN.	ZHOUYU	2001-9-12
1	TERMINAL	BRASS STRIP	1	Ag PLATED OVER Ni PLATED				CHK'D	FANGYING	2001-9-12
NO.	PARTS	MATERIALS	Q'TY	FINISH	ALL MATERIALS MUST BE COMPLIANT TO ROHS			APPD.	KANGXINAN	2001-9-12